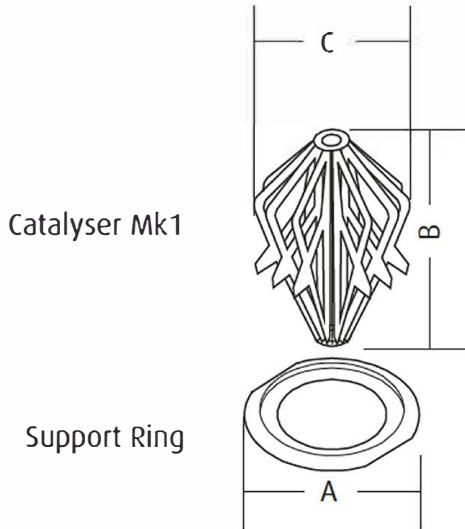


Catalyser Identification.

Mk1 Catalyser - Twin Skin Burner.

Catalyser is supported by a one piece ring



Catalyser Mk1			
Burner Size	B	C	Part No.
6"	130mm	105mm	337
8"	170mm	135mm	339
10"	170mm	135mm	339

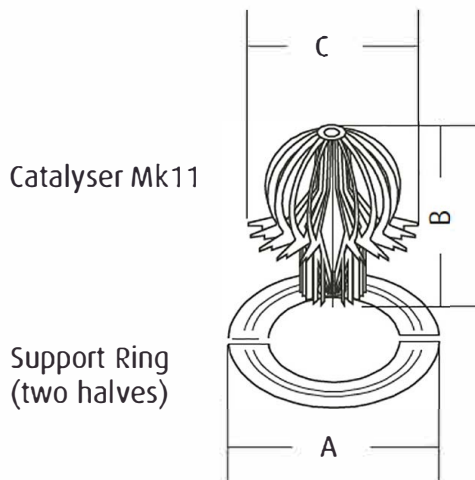
Catalyser Support Ring Mk1		
Burner Size	A	Part No.
6"	142mm	3113
8"	171mm	3112
10"	206mm	3111

Mk 11 Catalyser - Single Skin Burner

Catalyser is supported by a two piece split ring.

Catalyser shape may not be as shown, shape changes between burner sizes.

For accurate identification use measurements.



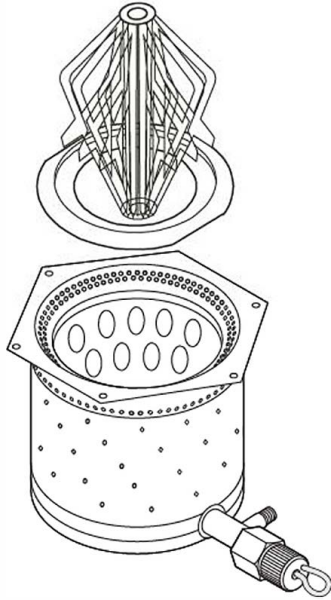
Catalyser Mk11			
Burner Size	B	C	Part No.
6"	125mm	130mm	32824
8"	150mm	146mm	26428
10"	155mm	181mm	26429

Catalyser Support Ring Mk11		
Burner Size	A	Part No.
6"	172mm	32822 2 required per stove
8"	195mm	23908 2 required per stove
10"	225mm	23920 2 required per stove

Position within the Burner.

The catalyser support ring or two half rings sit on pegs halfway down inside the burner. The catalyser then sits centrally on the support ring.

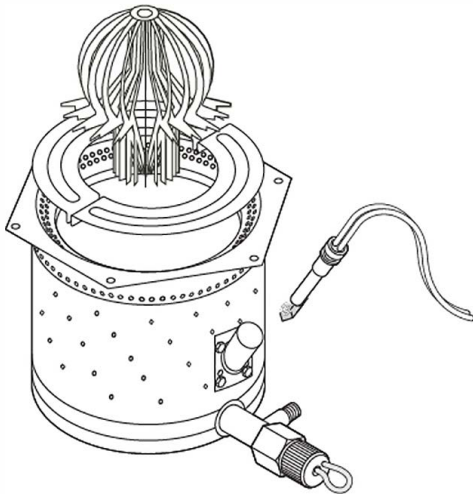
Burner Identification.



Mk1 Burner

The Mk1 burner comprises of a twin skin with smaller holes on the outer surface and larger holes on the inner surface. There is also no entry port (swan neck) for an igniter to be fitted.

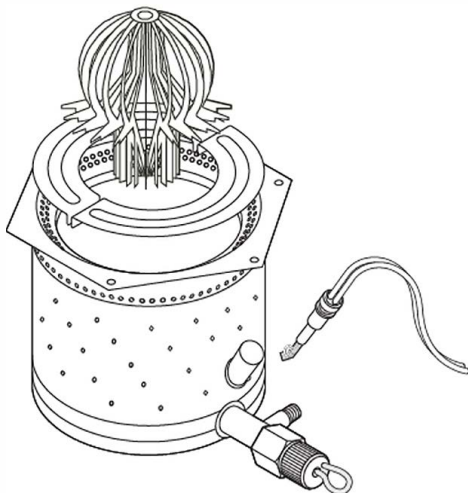
Oil Burner Mk1	
Burner Size	Part No.
6"	199
8"	201
10"	192



Mk2 Burner with fitted Swan Neck

The Mk2 burner is only a single skin and the entry port (swan neck) for an igniter is attached to the side of the burner by four small nuts and bolts.

Oil Burner Mk1	
Burner Size	Part No.
6"	33522
8"	33523
10"	33524



Mk2 Burner with Braised Swan Neck

The Mk2 burner is only a single skin and the entry port (swan neck) for an igniter is braised to the side of the burner.

Oil Burner Mk1	
Burner Size	Part No.
6"	39672
8"	38685
10"	46261